

Power over Ethernet

Power and data combined on the UTP cable

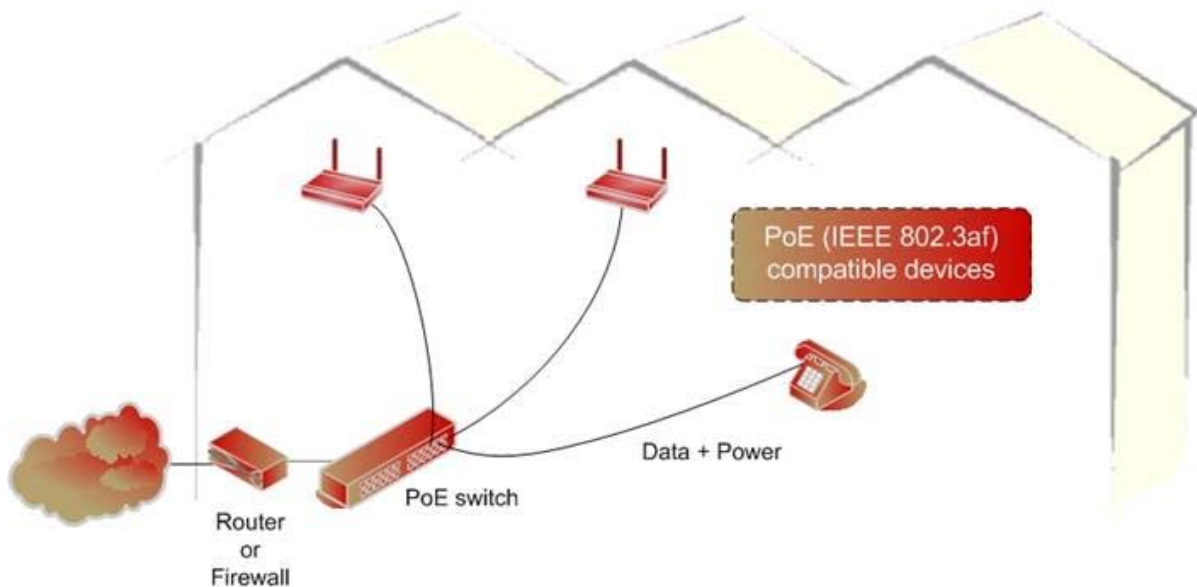
Add network devices without the hassle of providing extra power supplies!

Power over Ethernet (POE) technology allows IP telephones, wireless LAN Access Points and other appliances to receive power as well as data over existing LAN cabling, without needing to modify the existing Ethernet infrastructure. It has become an international standard, called IEEE802.3af, as an extension to the existing Ethernet standards.

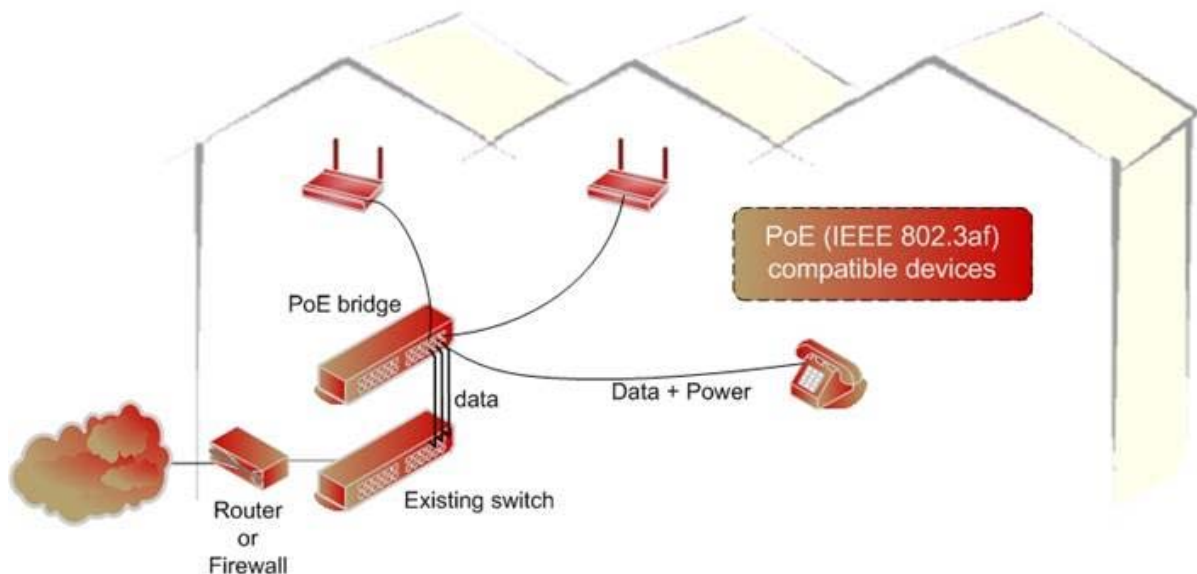
Through the use of PoE both cost and effort can be saved, as there is no need for new power sockets as new equipment is installed.

Power over Ethernet can be delivered by using a PoE switch or PoE bridge. Both scenarios are illustrated below.

PoE SWITCH



PoE BRIDGE (6/12 port) or INJECTOR (1port)



Connectivity Solutions provides various PoE equipment: Access Points, Switches, Bridges, and Injectors and can provide you with additional information. Feel free to contact us for more information!